



## South Shore Soccer League Playoffs 2018 Finals Schedule - Bridgewater - June 17, 2018

Last updated:  
6/17/18 9:28 PM

	Field 2	Field 3	Field 1	Field 4	Field 5	Field 6
8 : 0 : 0  A M	<b>B10.1</b>	<b>B12.1</b>	<b>G10.2</b>	<b>G10.1</b>	<b>B6.1</b>	<b>G6.2</b>
	BRG (Brod) <b>2</b>	WEY (Oliva) <b>4</b>	HOL/A (Cochran) <b>4</b>	BRG (Berry) <b>8</b>	BRA (Smith) <b>3</b>	WBG (Morash) <b>2</b>
	versus <b>55</b>	versus <b>56</b>	versus <b>57</b>	versus <b>58</b>	versus <b>59</b>	versus <b>60</b>
	BRA (Smith) <b>3</b>	BRK (Cameron) <b>2</b>	RAY (Daryanani) <b>2</b>	EBG (McCarthy) <b>0</b>	SHA (Elmblad) <b>4</b>	STO (Grant) <b>0</b>
1 : 0 : 1 : 5  A M	<b>G12.1</b>	<b>B10.2</b>	<b>G10.1</b>	<b>B12.2</b>	<b>B6.2</b>	<b>G6.3</b>
	EAS (Sarafoglou) <b>4</b>	HOL/A (Sheehan) <b>3</b>	RAY (Demeral) <b>0</b>	RAY (Demeral) <b>0</b>	WHT (Goldberg) <b>2</b>	STO (Fox) <b>1</b>
	versus <b>61</b>	versus <b>62</b>	versus <b>63</b>	versus <b>63</b>	versus <b>64</b>	versus <b>65</b>
	BRG (Barron) <b>3</b>	ACU2 (Garcia Jr) <b>1</b>	ABG (Molloy) <b>3</b>	ABG (Molloy) <b>3</b>	EBG (Mesheau) <b>1</b>	BRA (Juba) <b>5</b>
1 : 2 : 3 : 0  P M	<b>G8.1</b>	<b>G8.2</b>	<b>G8.3</b>	<b>B8.3</b>	<b>G6.1</b>	<b>B6.3</b>
	WHT (Leadbetter) <b>1</b>	SHA (Soby) <b>3</b>	EAS (Garofolo) <b>3</b>	RCK (Bessoud) <b>3</b>	EBG (Chisholm) <b>0</b>	QNY (Mergel) <b>2</b>
	versus <b>66</b>	versus <b>67</b>	versus <b>68</b>	versus <b>68</b>	versus <b>69</b>	versus <b>70</b>
	WEY (Lip) <b>5</b>	EAS (Pereira) <b>1</b>	SHA (Conneely) <b>2</b>	SHA (Conneely) <b>2</b>	BRA (Firicano) <b>1</b>	RCK (Comman) <b>3</b>
2 : 3 : 0  P M	<b>B8.1</b>	<b>B8.2</b>	<b>G8.3</b>	<b>G8.3</b>	<div style="border: 1px solid green; padding: 5px; display: inline-block;">Over-time or PK winner ==&gt;</div> <div style="border: 1px solid gray; width: 20px; height: 20px; border-radius: 50%; margin-left: 10px;"></div>	
	BRK (Almeida) <b>1</b>	WBG (Shamey) <b>0</b>	EAS (Garofolo) <b>3</b>	EAS (Garofolo) <b>3</b>		
	versus <b>71</b>	versus <b>72</b>	versus <b>73</b>	versus <b>73</b>		
	WEY (McLeod) <b>2</b>	BRK (Veiga) <b>2</b>	EBG (Chisholm) <b>1</b>	EBG (Chisholm) <b>1</b>		



# South Shore Soccer League Playoffs 2018

## Quarter Finals Schedule - Raynham - June 9, 2018

Last updated:  
6/17/18 9:28 PM

**Field 2**

9 : 0 0 A M	<b>B6.2 Seed 1</b>	
	WHT (Goldberg)	<b>3</b>
	<b>B6.2 Seed 8</b>	<b>1</b>
	BRK (Fontes)	<b>2</b>

**Field 3**

	<b>G6.2 Seed 1</b>	
	WBG (Morash)	<b>7</b>
	<b>G6.2 Seed 8</b>	<b>2</b>
	BRG (Mitchell)	<b>1</b>

Field

**Field 1**

8 : 0 0 A M	<b>B8.2 Seed 1</b>	<b>A</b>
	WBG (Shamey)	<b>9</b>
	<b>B8.2 Seed 8</b>	3
	ABG (Grafton)	<b>1</b>

**Field 4**

	<b>B8.2 Seed 2</b>	<b>B</b>
	BRK (Veiga)	<b>4</b>
	<b>B8.2 Seed 7</b>	7
	QNY (Bridges)	<b>0</b>

1  
:  
0  
:  
3  
0  
A  
M

<b>B6.2 Seed 2</b>	
ABG (Spinney)	<b>4</b>
<b>B6.2 Seed 7</b>	<b>5</b>
EAS (Santana)	<b>0</b>

**G6.2 Seed 2**

STO (Grant)	<b>7</b>
<b>G6.2 Seed 7</b>	<b>6</b>
ABG (Howley)	<b>0</b>

9  
:  
3  
0  
A  
M

<b>G8.2 Seed 2</b>	
HOL/A (Pepe)	<b>1</b>
<b>G8.2 Seed 7</b>	<b>4</b>
QNY (Mariano)	<b>0</b>

**G8.2 Seed 4**

SHA (Soby)	<b>5</b>
<b>G8.2 Seed 5</b>	<b>8</b>
RAY (Fernandes)	<b>2</b>

1  
:  
2  
:  
0  
0  
P  
M

<b>B6.2 Seed 4</b>	
ACU (Nunes)	<b>1</b>
<b>B6.2 Seed 5</b>	<b>9</b>
HAN (Moore)	<b>4</b>

**G6.2 Seed 4**

BRK (Nieves)	<b>2</b>
<b>G6.2 Seed 5</b>	<b>10</b>
BRA (O'Sullivan)	<b>1</b>

1  
:  
1  
:  
3  
0  
A  
M

<b>B8.2 Seed 3</b>	
WHT (Allen)	<b>1</b>
<b>B8.2 Seed 6</b>	<b>11</b>
RCK (Burke)	<b>2</b>

**G8.2 Seed 3**

EAS (Pereira)	<b>4</b>
<b>G8.2 Seed 6</b>	<b>12</b>
MMR (Feeney)	<b>0</b>

1  
:  
:  
3  
0  
P  
M

<b>B6.2 Seed 3</b>	
EBG (Mesheau)	<b>4</b>
<b>B6.2 Seed 6</b>	<b>13</b>
STO (Dupont)	<b>1</b>

**G6.2 Seed 3**

RCK (Donnelly)	<b>1</b>
<b>G6.2 Seed 6</b>	<b>14</b>
EAS (Fisher)	<b>4</b>

Over-time or  
PK winner ==>

1  
:  
:  
0  
0  
P  
M

<b>B8.2 Seed 4</b>	
HOL/A (Gomez)	<b>0</b>
<b>B8.2 Seed 5</b>	<b>15</b>
EAS (Kilmartin)	<b>1</b>

**G8.2 Seed 1**

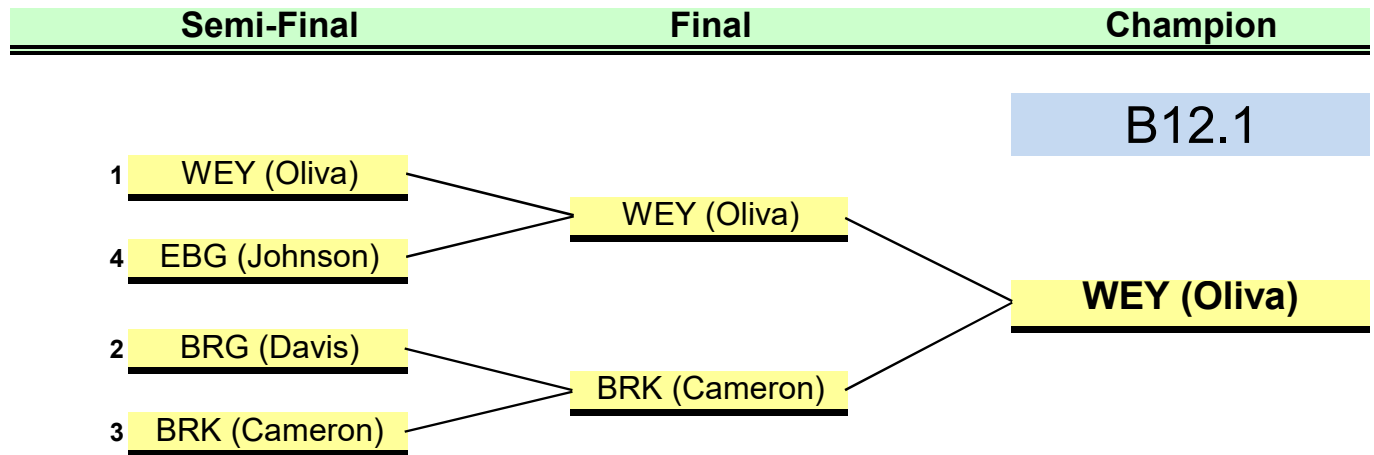
WBG (Gately)	<b>4</b>
<b>G8.2 Seed 8</b>	<b>16</b>
BRA (Morris)	<b>0</b>

**A** Game to be played in West Bridgewater on Sunday 6/10 @ 9:30 AM  
**B** Game to be played in West Bridgewater on Sunday 6/10 @ 11:00 AM

2018 SSSL Playoffs  
Grid View

<b>Seed</b>	<b>B12.1</b>
-------------	--------------

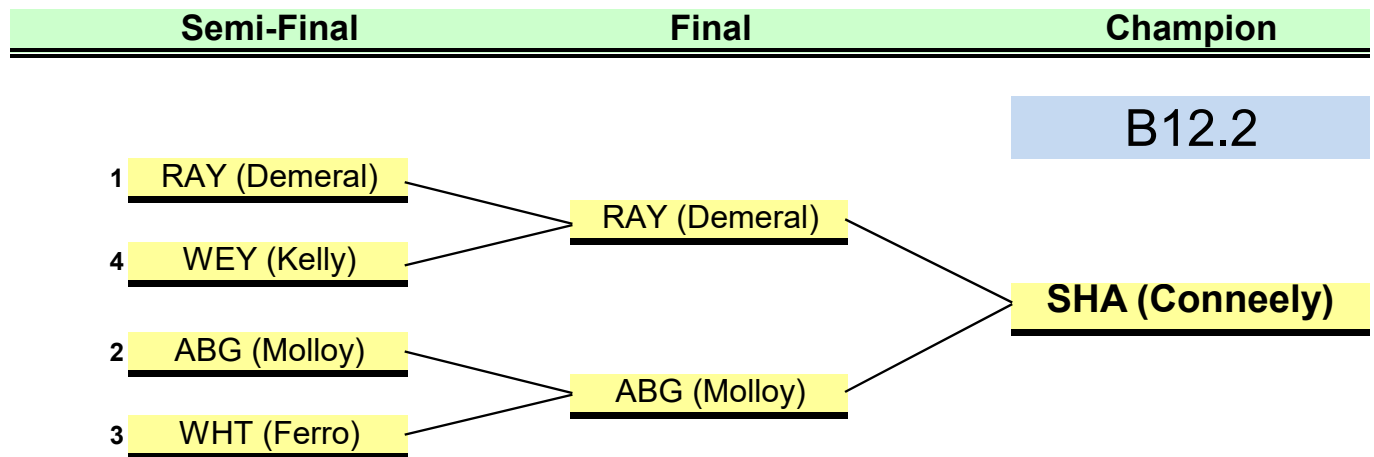
- 1 WEY (Oliva)
- 2 BRG (Davis)
- 3 BRK (Cameron)
- 4 EBG (Johnson)



Seeds to be determined by Total Points

<b>Seed</b>	<b>B12.2</b>
-------------	--------------

- 1 RAY (Demeral)
- 2 ABG (Molloy)
- 3 WHT (Ferro)
- 4 WEY (Kelly)

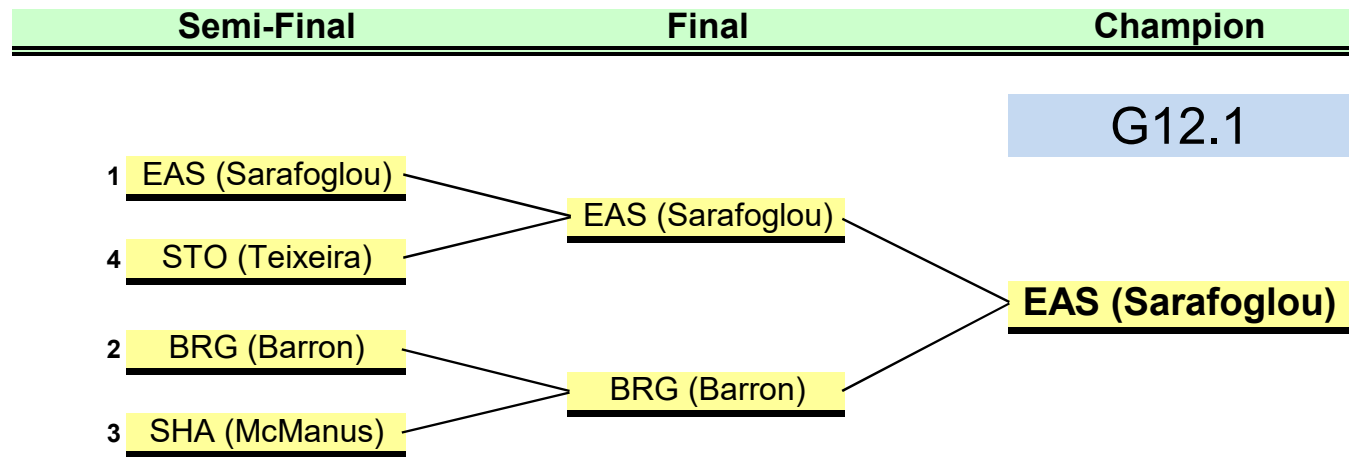


Seeds to be determined by Total Points

2018 SSSL Playoffs  
Grid View

Seed	G12.1
------	-------

- 1 EAS (Sarafoglou)
- 2 BRG (Barron)
- 3 SHA (McManus)
- 4 STO (Teixeira)



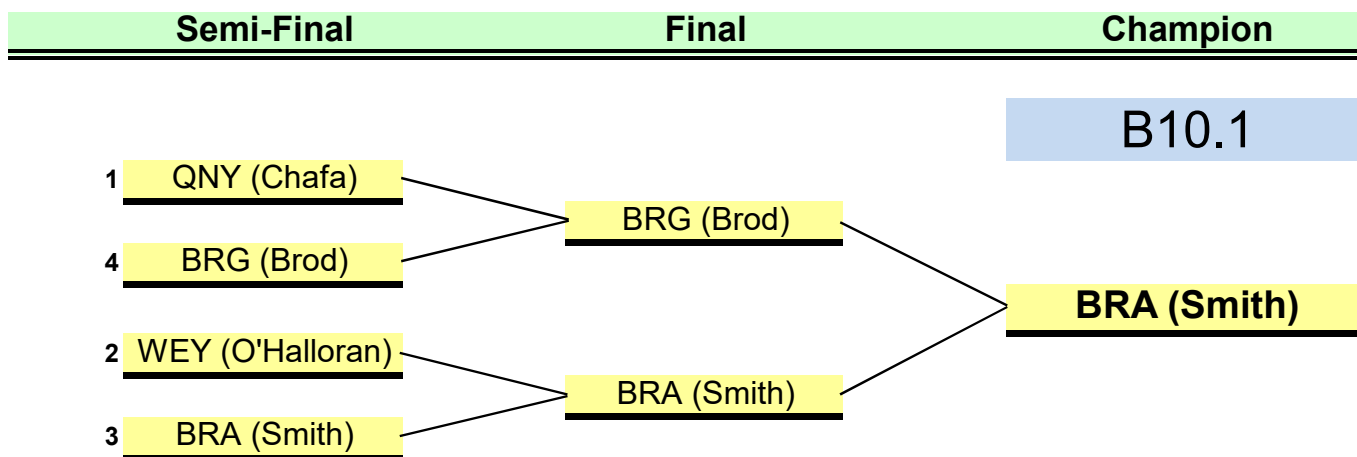
Seeds to be determined by Total Points

Last Updated: 6/17/18 9:28 PM

2018 SSSL Playoffs  
Grid View

Seed	B10.1
------	-------

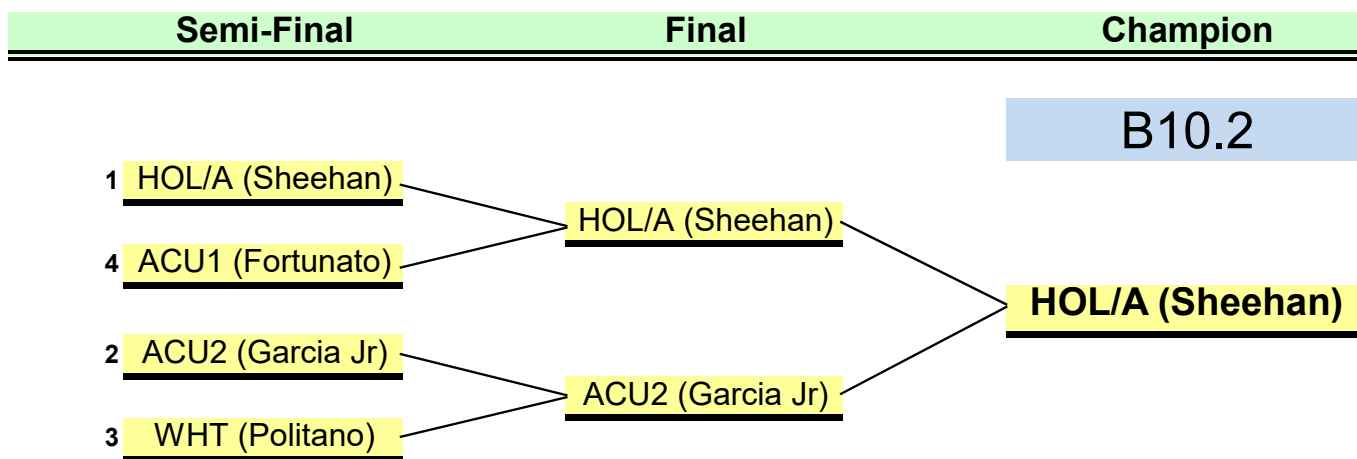
- 1 QNY (Chafa)
- 2 WEY (O'Halloran)
- 3 BRA (Smith)
- 4 BRG (Brod)



Seeds to be determined by Total Points

Seed	B10.2
------	-------

- 1 HOL/A (Sheehan)
- 2 ACU2 (Garcia Jr)
- 3 WHT (Politano)
- 4 ACU1 (Fortunato)



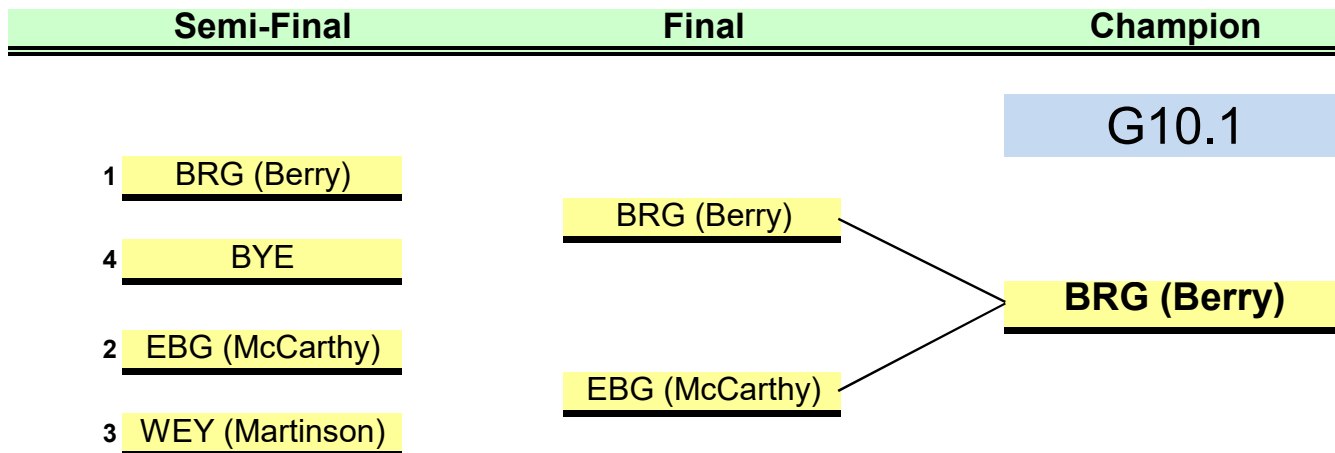
Seeds to be determined by Total Points

Last Updated: 6/17/18 9:28 PM

2018 SSSL Playoffs  
Grid View

Seed	G10.1
------	-------

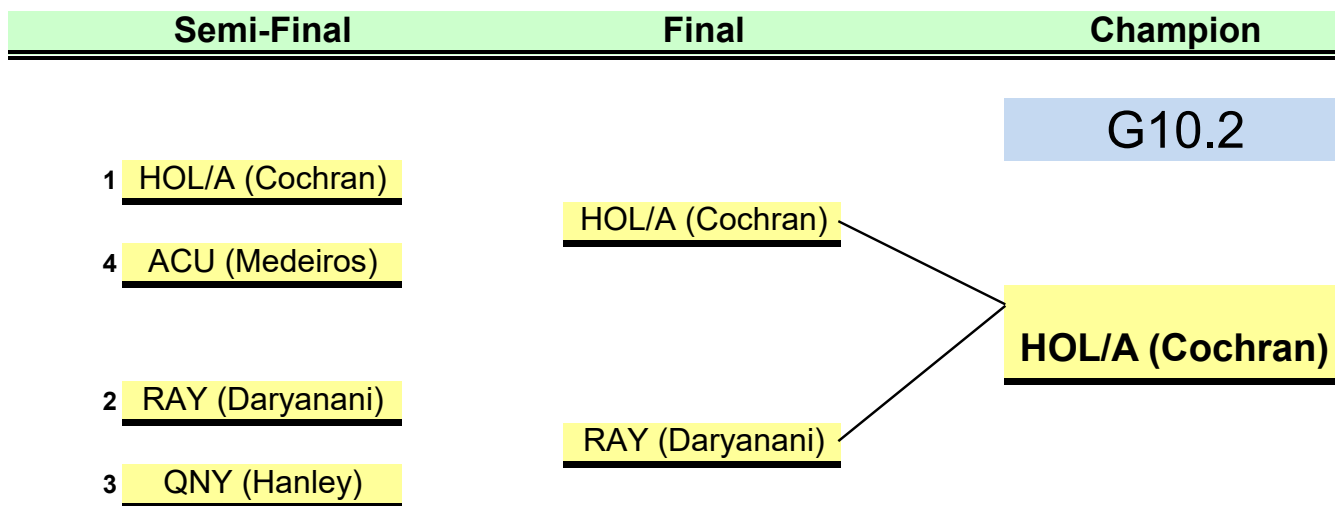
- 1 BRG (Berry)
- 2 EBG (McCarthy)
- 3 WEY (Martinson)
- 4 BYE



Seeds to be determined by Total Points

Seed	G10.2
------	-------

- 1 HOL/A (Cochran)
- 2 RAY (Daryanani)
- 3 QNY (Hanley)
- 4 ACU (Medeiros)



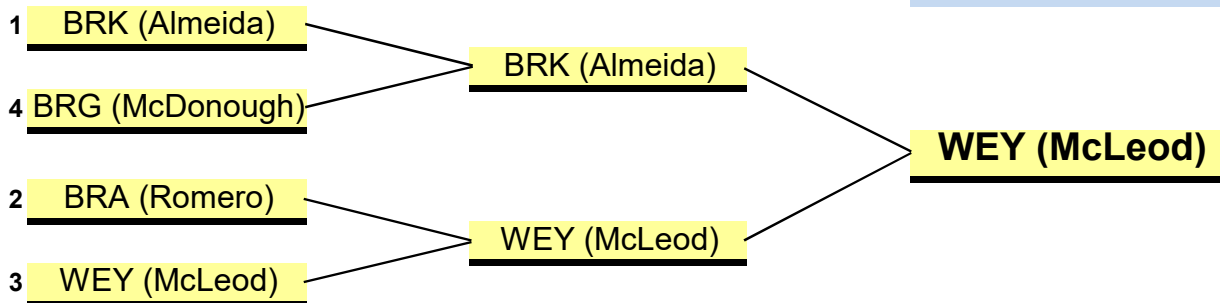
Seeds to be determined by Total Points

2018 SSSL Playoffs  
Grid View

Seed	B8.1
------	------

- 1 BRK (Almeida)
- 2 BRA (Romero)
- 3 WEY (McLeod)
- 4 BRG (McDonough)

Semi-Final	Final	Champion
------------	-------	----------



B8.1

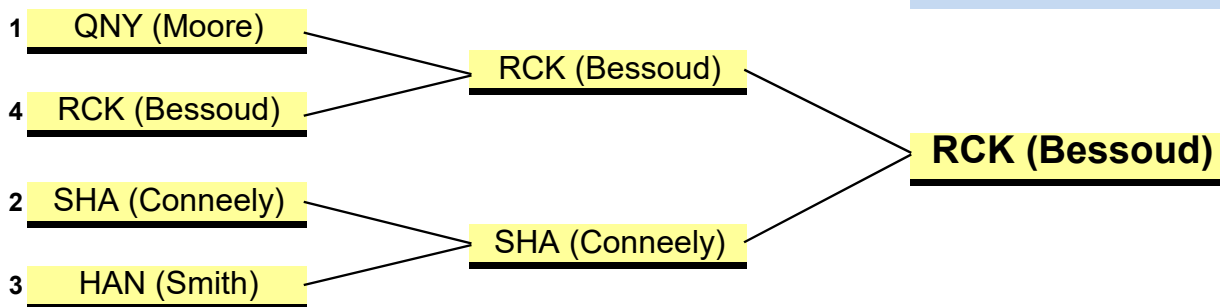
**WEY (McLeod)**

Seeds to be determined by Total Points

Seed	B8.3
------	------

- 1 QNY (Moore)
- 2 SHA (Conneely)
- 3 HAN (Smith)
- 4 RCK (Bessoud)

Semi-Final	Final	Champion
------------	-------	----------



B8.3

**RCK (Bessoud)**

Seeds to be determined by Total Points

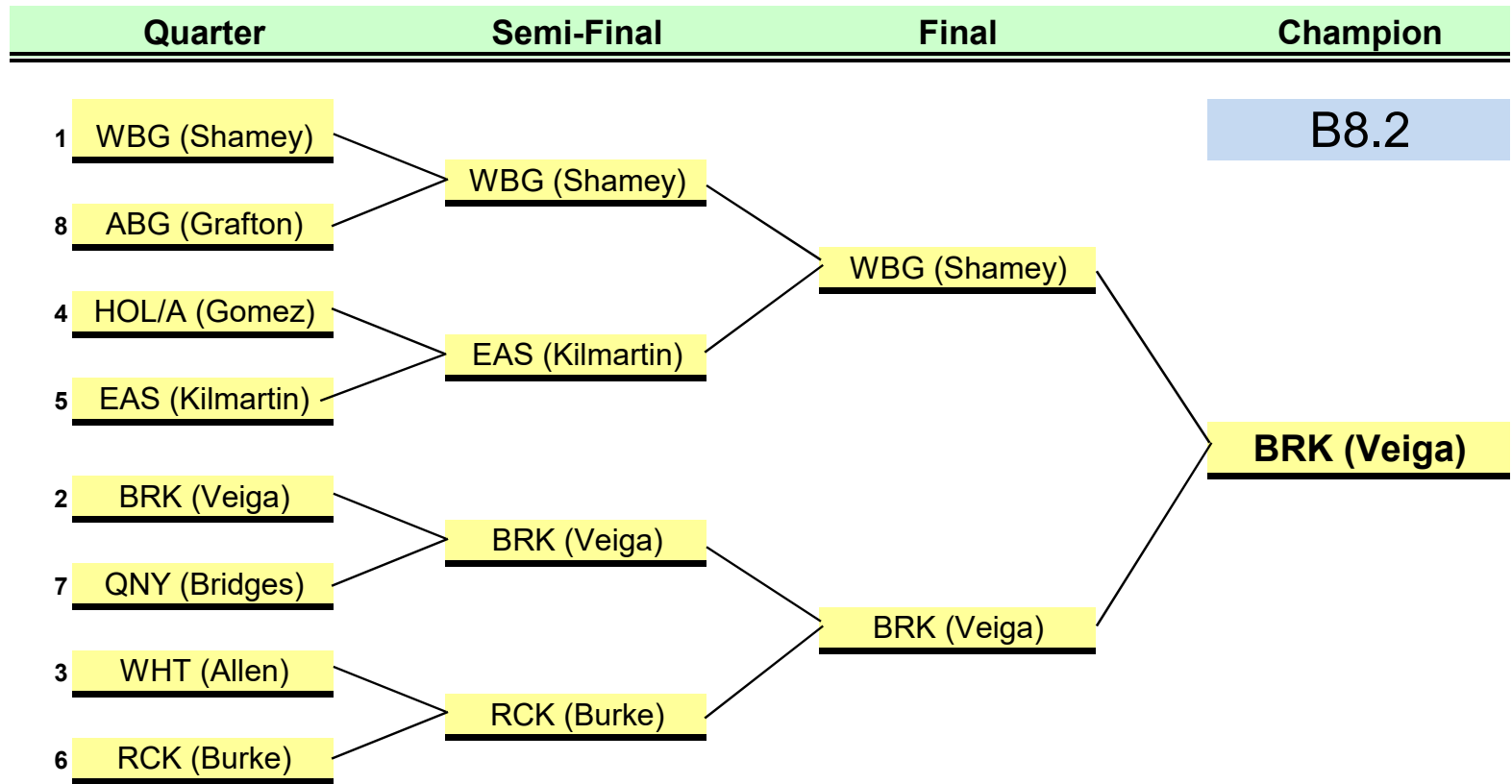
Last Updated: 6/17/18 9:28 PM



2018 SSSL Playoffs  
Grid View

Seed	B8.2
------	------

- 1 WBG (Shamey)
- 2 BRK (Veiga)
- 3 WHT (Allen)
- 4 HOL/A (Gomez)
- 5 EAS (Kilmartin)
- 6 RCK (Burke)
- 7 QNY (Bridges)
- 8 ABG (Grafton)



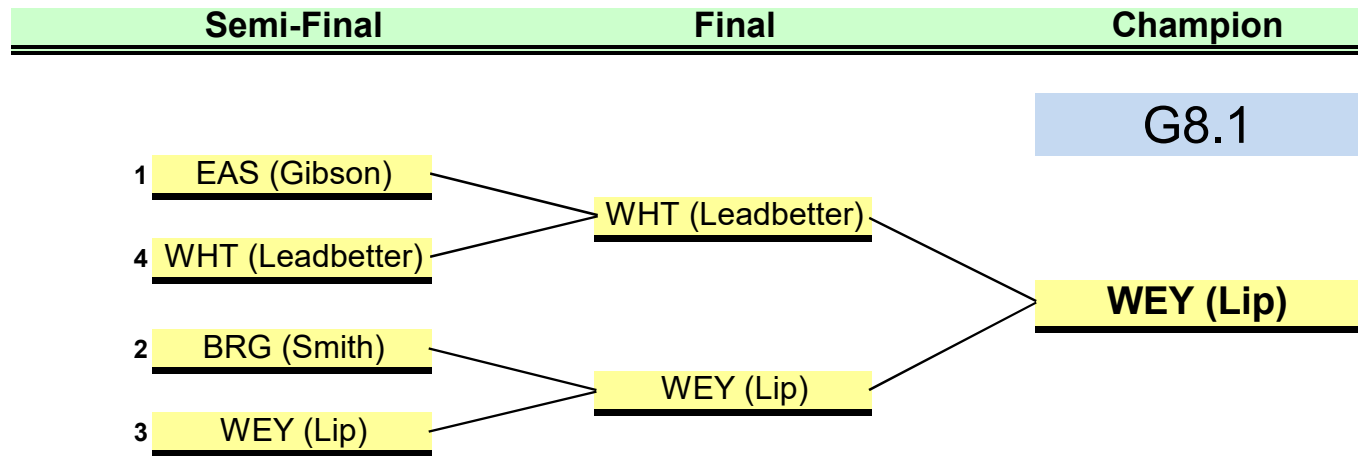
Seeds to be determined by Total Points

Last Updated:  
6/17/18 9:28 PM

2018 SSSL Playoffs  
Grid View

Seed	G8.1
------	------

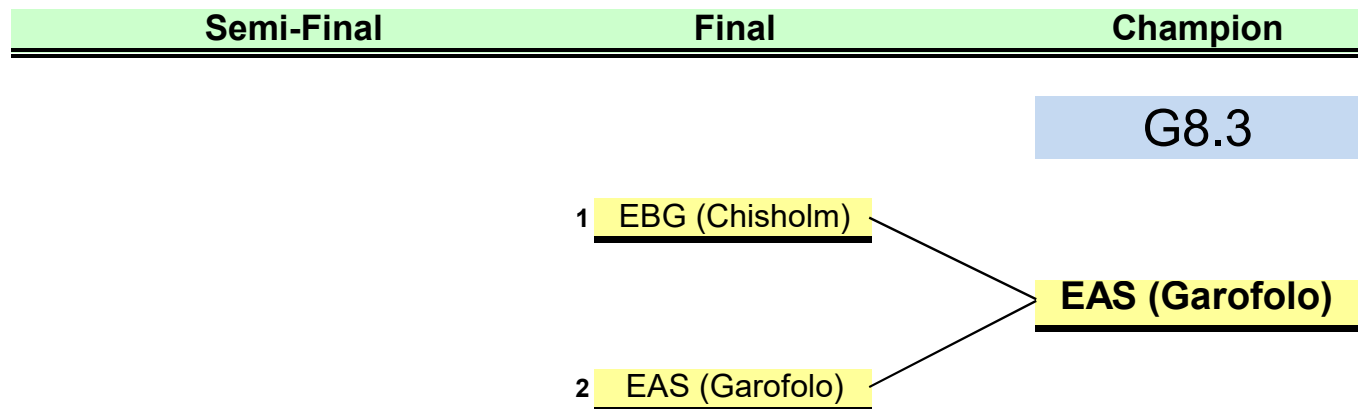
- 1 EAS (Gibson)
- 2 BRG (Smith)
- 3 WEY (Lip)
- 4 WHT (Leadbetter)



Seeds to be determined by Total Points

Seed	G8.3
------	------

- 1 EBG (Chisholm)
- 2 EAS (Garofolo)



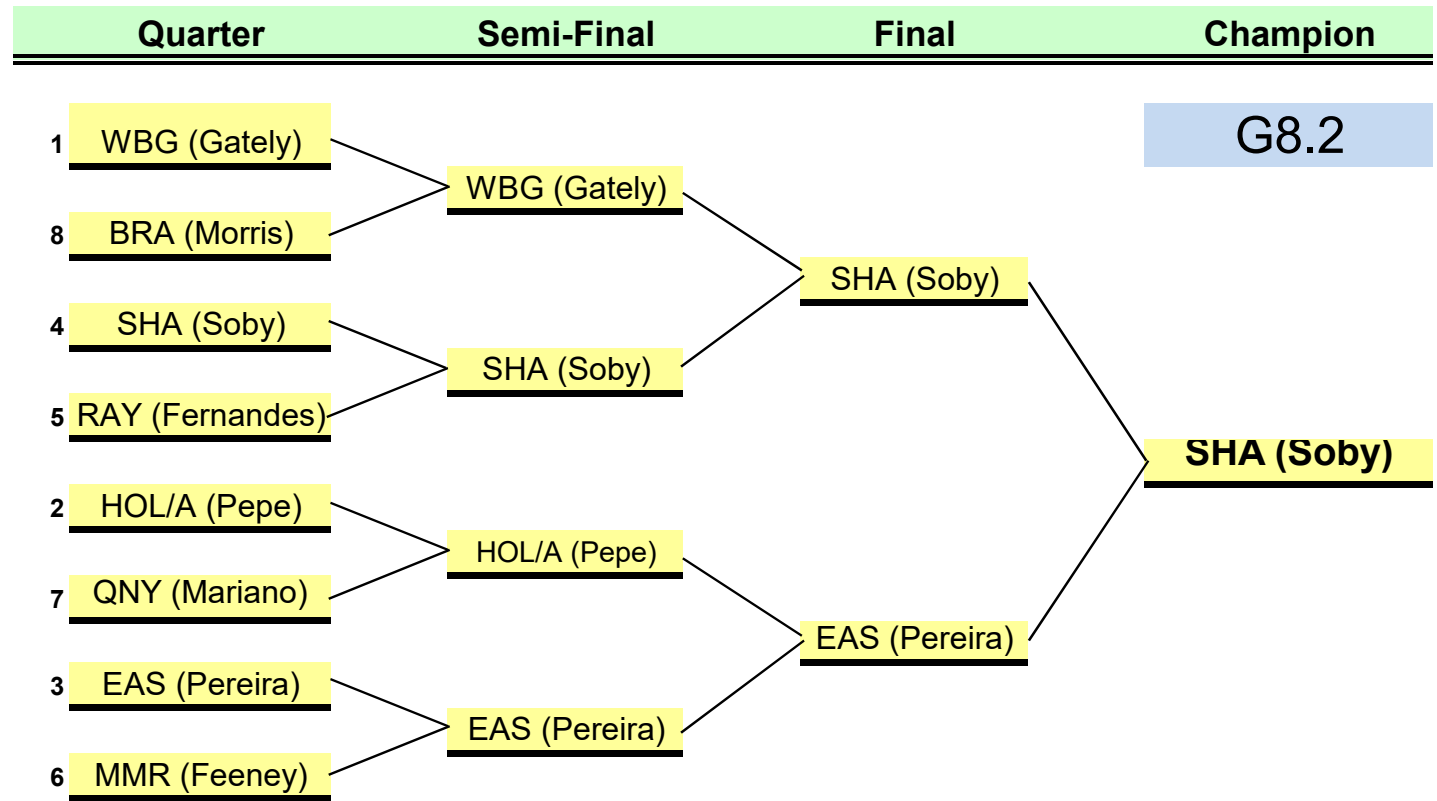
Seeds to be determined by Total Points

Last Updated: 6/17/18 9:28 PM

2018 SSSL Playoffs  
Grid View

Seed	G8.2
------	------

- 1 WBG (Gately)
- 2 HOL/A (Pepe)
- 3 EAS (Pereira)
- 4 SHA (Soby)
- 5 RAY (Fernandes)
- 6 MMR (Feeney)
- 7 QNY (Mariano)
- 8 BRA (Morris)



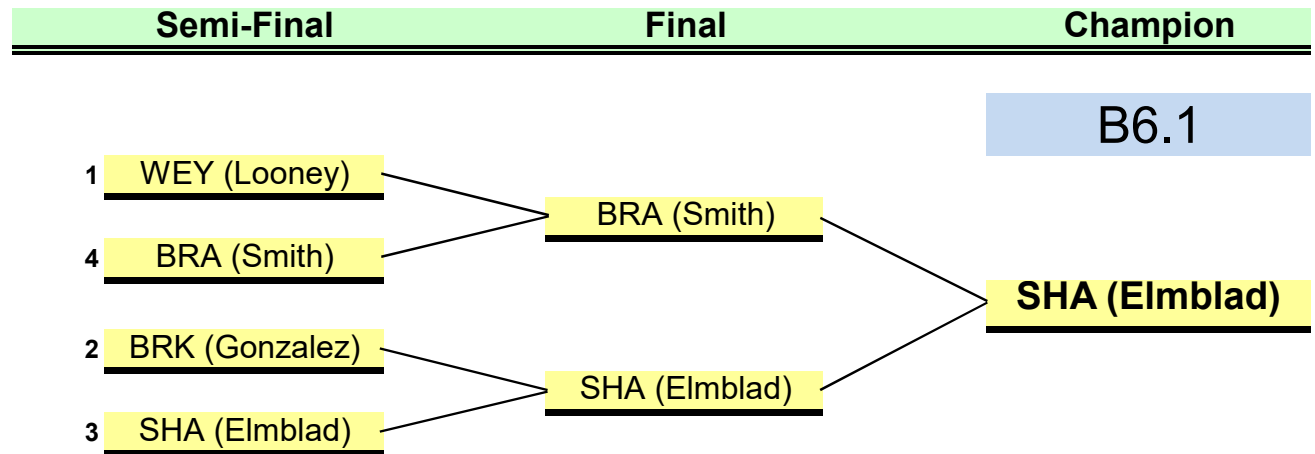
Seeds to be determined by Total Points

Last Updated: 6/17/18 9:28 PM

2018 SSSL Playoffs  
Grid View

Seed	B6.1
------	------

- 1 WEY (Looney)
- 2 BRK (Gonzalez)
- 3 SHA (Elmblad)
- 4 BRA (Smith)

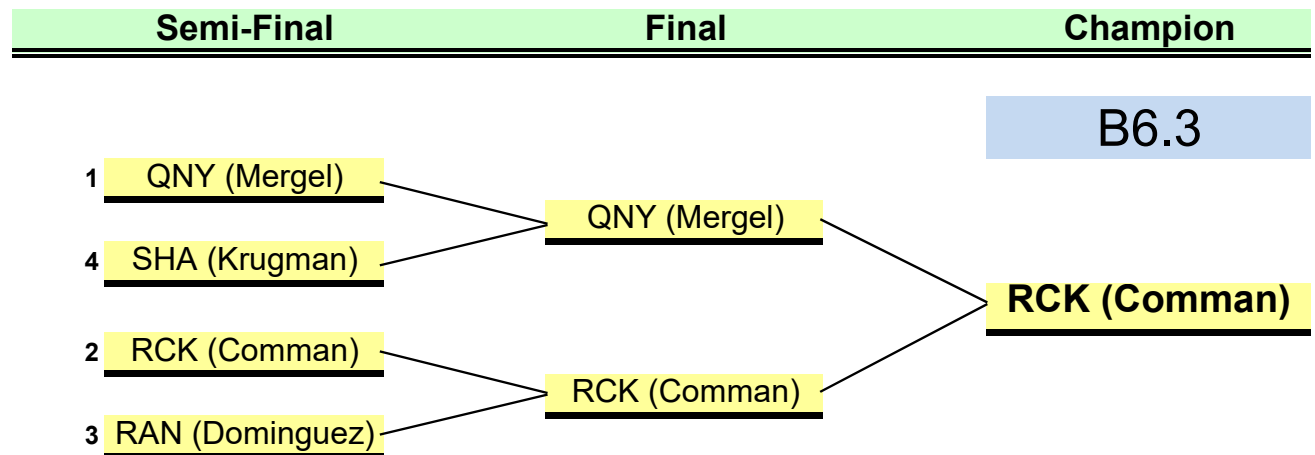


Seeds to be determined by Total Points



Seed	B6.3
------	------

- 1 QNY (Mergel)
- 2 RCK (Comman)
- 3 RAN (Dominguez)
- 4 SHA (Krugman)

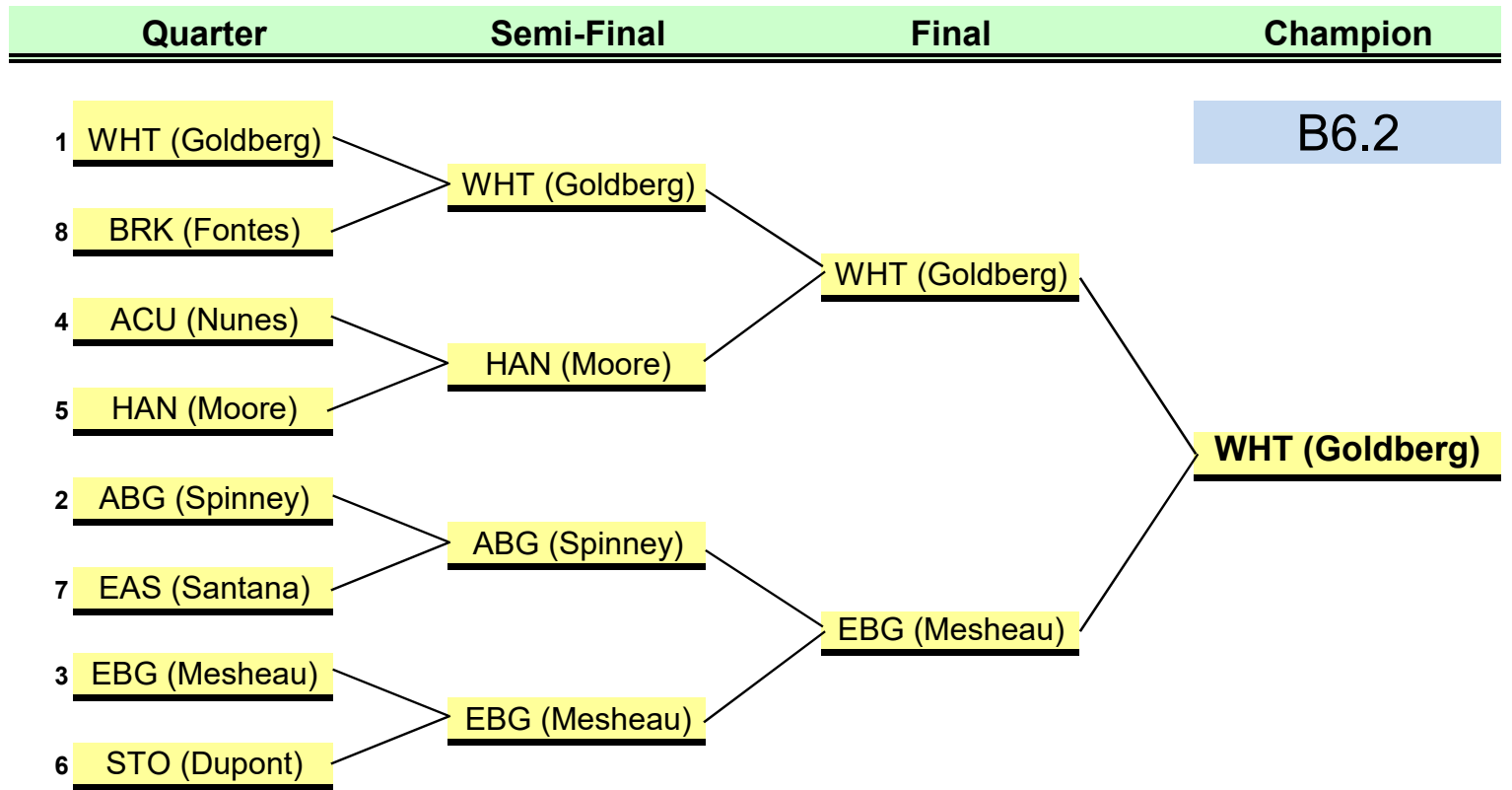


Seeds to be determined by Total Points

2018 SSSL Playoffs  
Grid View

<b>Seed</b>	<b>B6.2</b>
-------------	-------------

- 1 WHT (Goldberg)
- 2 ABG (Spinney)
- 3 EBG (Mesheau)
- 4 ACU (Nunes)
- 5 HAN (Moore)
- 6 STO (Dupont)
- 7 EAS (Santana)
- 8 BRK (Fontes)



B6.2

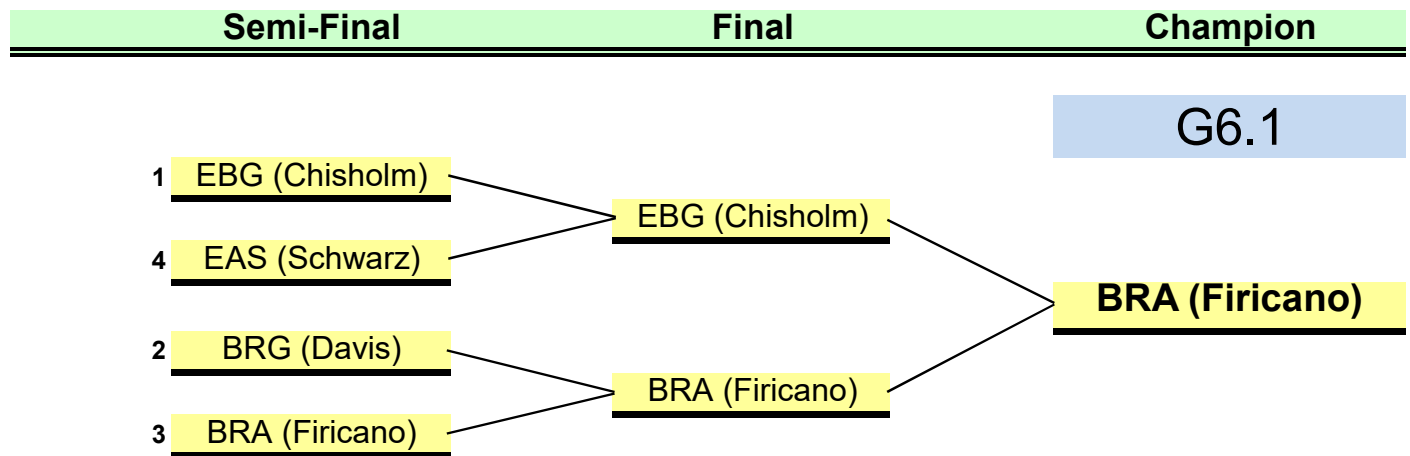
Seeds to be determined by Total Points

Last Updated: 6/17/18 9:28 PM

2018 SSSL Playoffs  
Grid View

Seed	G6.1
------	------

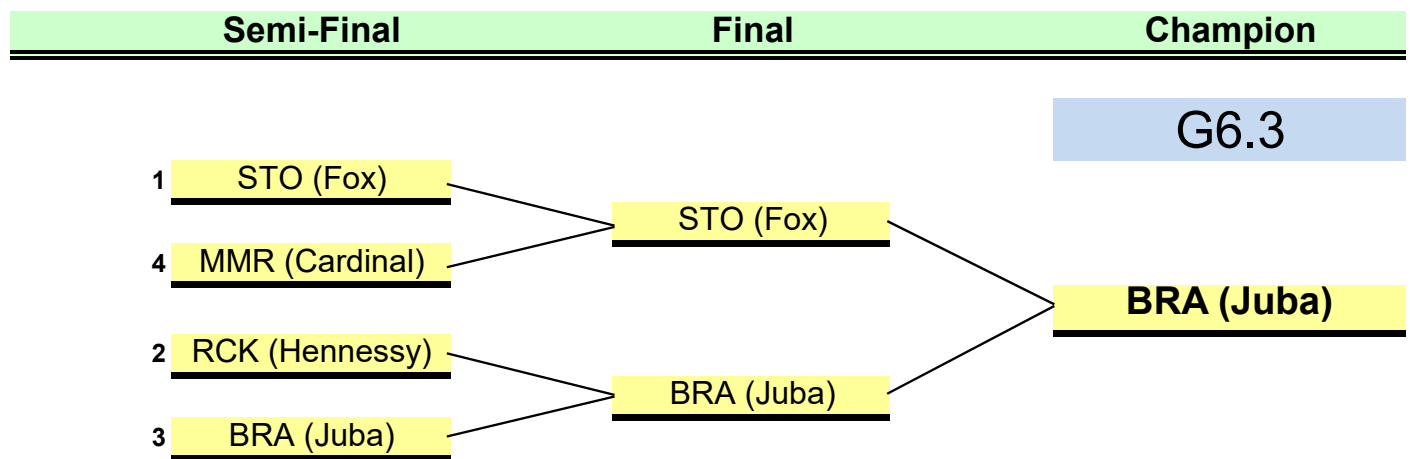
- 1 EBG (Chisholm)
- 2 BRG (Davis)
- 3 BRA (Firicano)
- 4 EAS (Schwarz)



Seeds to be determined by Total Points

Seed	G6.3
------	------

- 1 STO (Fox)
- 2 RCK (Hennessy)
- 3 BRA (Juba)
- 4 MMR (Cardinal)



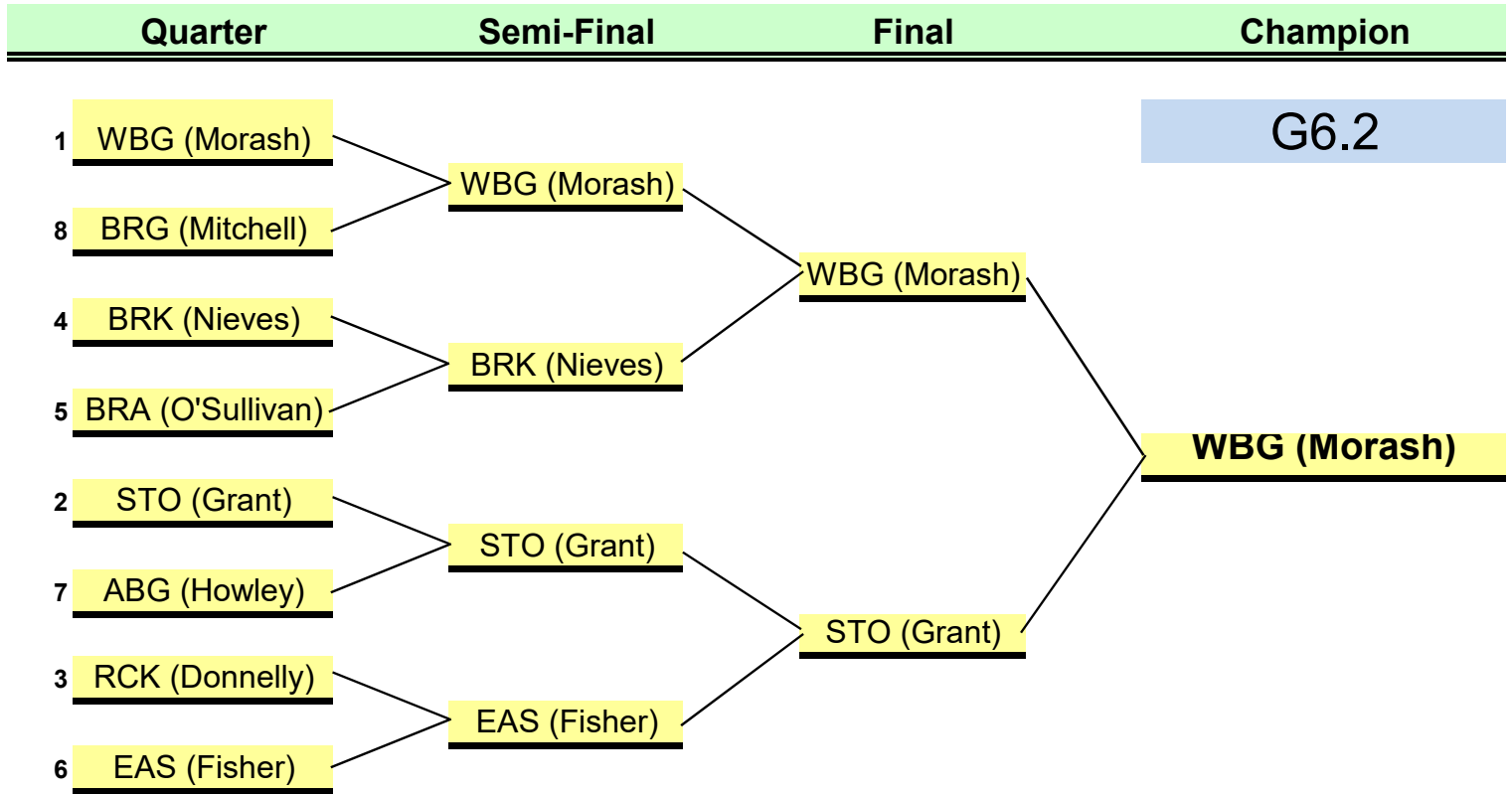
Seeds to be determined by Total Points

Last Updated: 6/17/18 9:28 PM

2018 SSSL Playoffs  
Grid View

Seed	G6.2
------	------

- 1 WBG (Morash)
- 2 STO (Grant)
- 3 RCK (Donnelly)
- 4 BRK (Nieves)
- 5 BRA (O'Sullivan)
- 6 EAS (Fisher)
- 7 ABG (Howley)
- 8 BRG (Mitchell)



Seeds to be determined by Total Points

Last Updated: 6/17/18 9:28 PM